

162201, BZR-1

Reverse, Back-up alarm, Waterproof



DATE:2005.12.07

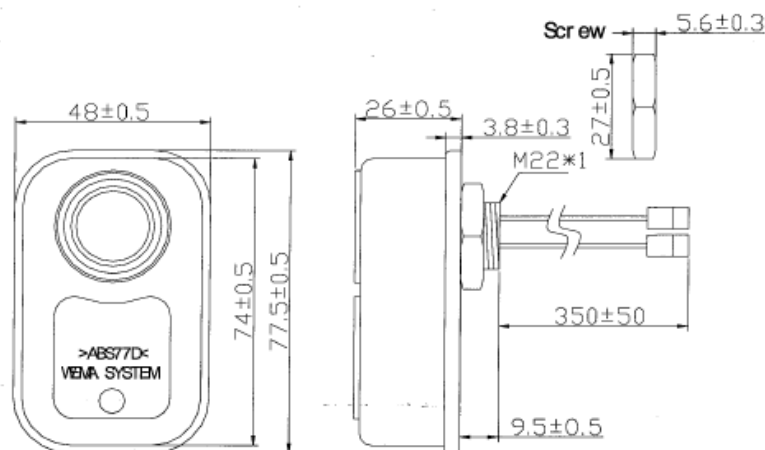
1. Electrical Characteristics

VER.:1

Resonant Frequency (KHz)	1.5~3.5
Operating Voltage (VDC)	18 ~ 32
Rated Voltage (VDC)	24
Current Consumption (mA/max)	300 at Rated Voltage
Sound Pressure Level (dB/min)	73±5dB at 7.5m at Rated Voltage (High) 55±3dB at 7.5m at Rated Voltage (Low)
Tone/Pulse Rate(Hz)	Pulse 0.7 ± 20%
Operating Temperature (°C)	-20 ~ +90
Storage Temperature (°C)	-30 ~ +100

2. Dimensions and Material

2-1 Shape



2-2 Material

Housing	ABS 777D plastic resin (Color : Black)
Leading Wire	22AWG (Red + White)
Weight (Gram)	98