



If you could change anything about your display, what would it be? The shape? The inputs? The interface? How about nearly everything?



CAN-based display, with fully modular design

Customize the bezel, buttons, i/o interface and more

Configuration software for OEMs available

Bonded LCD screen, viewable in direct sunlight

Rugged/Reliable Design

Endless possibilities

The PowerView 750 display features a fully modular design. Any of the major components can be redesigned and assembled to meet your exact needs. It's an incredible amount of customization with minimal non-recurring engineering costs.

You can change the shape of the bezel and buttons. You can rework the i/o board to add extra input. You can add custom graphics and company branding to the interface.

The PowerView 750 display also has configuration software for OEMs available, so you can continue to make quick and easy changes to the onscreen display.

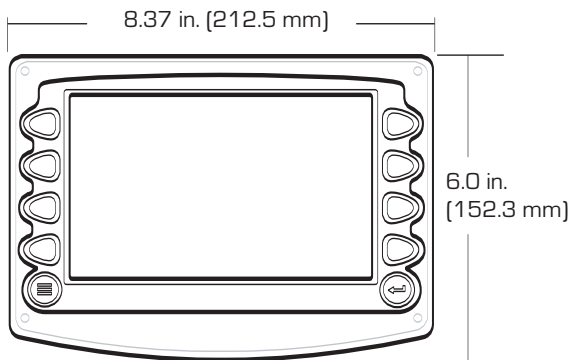
The PowerView 750 display is also highly durable. See the full specs on the back of this sheet for a full overview of its technical features.

THE POWERVIEW™
750

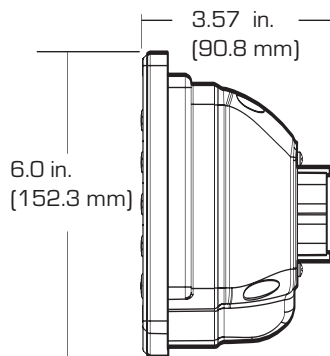


THE POWERVIEW™ 750

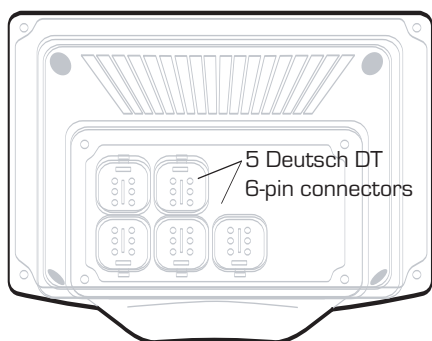
STANDARD DIMENSIONS



FRONT VIEW



SIDE VIEW



BACK VIEW

TECHNICAL SPECS

- Display: 7" / 178mm color transmissive TFT LCD
- Resolution: WVGA, 800 x 480 pixels, 16-bit color
- Aspect Ratio: 16:9
- Orientation: Landscape or portrait
- Backlighting: LED, 400-500 cd/mC (50,000 h lifetime)
- Microprocessor: Freescale iMX.31 32bit, 400MHz
- GNX Operating System
- Flash Memory: 2 GB
- RAM: 128 Mbytes SDRAM
- SD storage (optional): for program updates, map data, diagnostic data storage
- Operating Voltage: 6-35 VDC, protected against reverse polarity and load-dump
- Power Consumption: 10w full backlight; 22w full backlight with heater (< -10°C)
- CAN: 3 CAN ports according to CAN specification 2.0B; one port isolated according to NMEA 2000 (GPS)
- RS 485: 1 MODBUS Master port
- Video input: NTSC/PAL (optional after video input)
- Protocols: J1939, NMEA 2000 (GPS) CANOpen protocol support coming soon
- Connection: 5 Deutsch DT 6-pin connectors
- Keyboard: 10 tactile buttons
- USB 2.0 host (full speed)
- Inputs: (3) 0-5 VDC analog inputs, (1) input configurable to support measurement frequencies from 2-10 Hz and PWM values from 0-100% duty cycle
- Output: Digital, capable of sinking 500mA

MECHANICAL SPECS

- Dimensions: 8.37 x 6.0 in. [212.5 x 152.3 mm] landscape
- Unit depth: 3.57 in. [90.8 mm]
- Case material: Polycarbonate back case

ENVIRONMENTAL SPECS

- Operating Temperature: -40° C to +85° C
- Storage Temperature: -40° C to +85° C
- Protection: IP67, front and back
- Emissions: IEC 60945, 95/54/EC
- Immunity: SAE J1113, ISO 11452
- Vibration: Random vibration, 7.86 Grms(5-2000 Hz), 3 axis
- Shock: +/- 50G in 3 axis



FW Murphy

5311 South 122nd East Avenue
Tulsa, Oklahoma 74146 USA

Phone: +1 918.317.4100 Fax: +1 918.317.4266

E-mail: sales@fwmurphy.com Web site: www.fwmurphy.com